

MA14-1

1	+3V3
2	RB7/INT0
3	RB12
4	SCK
5	SDO
6	SDI
7	R2IN
8	T2OUT
9	R2OUT
10	T2IN
11	RS1_RX
12	RS1_TX
13	UART1_TX
14	UART1_RX

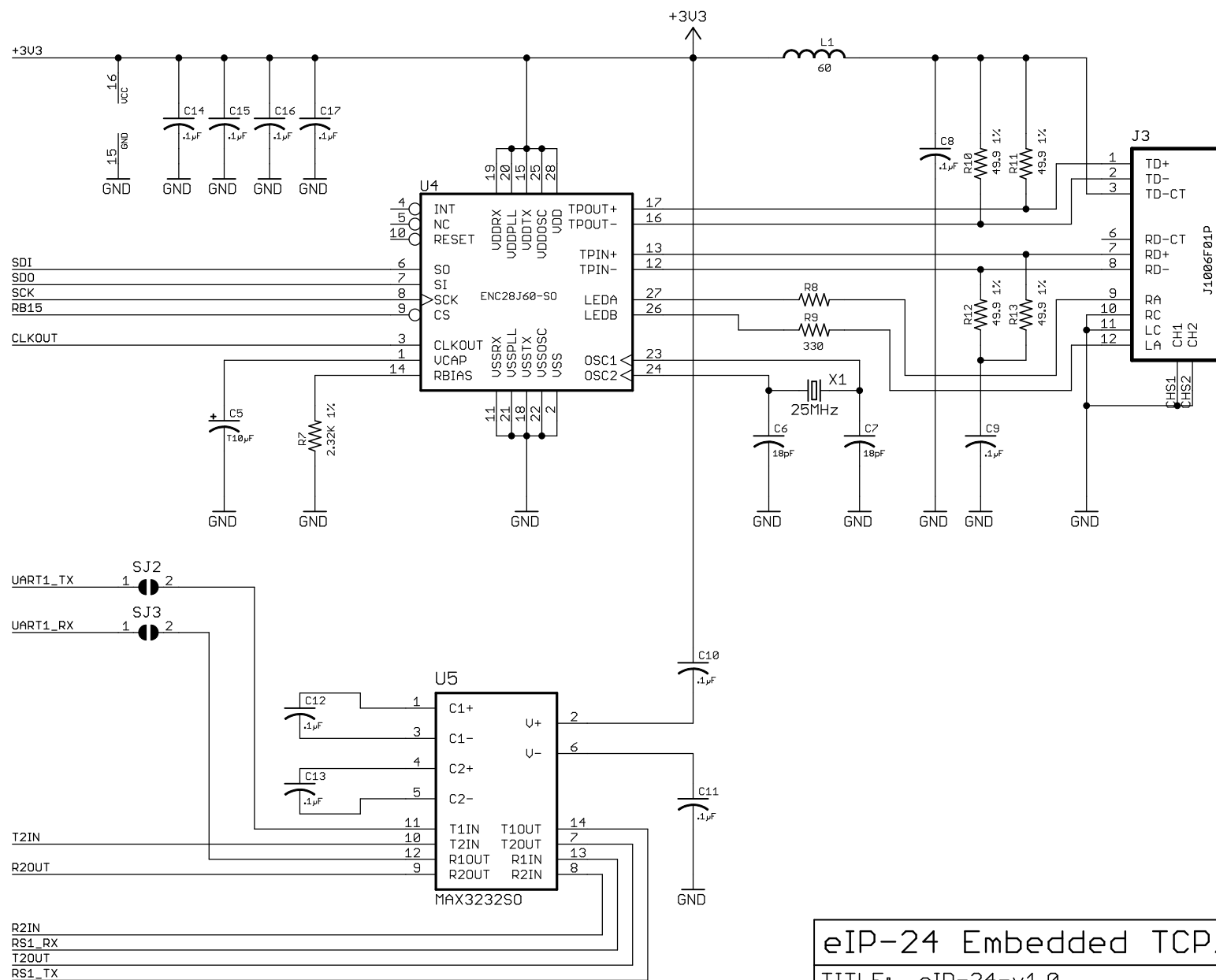
J1

MA14-1

1	MCLR
2	+3V3
3	GND
4	RB0/PGD1
5	RB1/PGC1
6	RA4
7	CLKOUT
8	RB3
9	RB2
10	RA1
11	RA0
12	RA3
13	RB4
14	RB5

J2

eIP-24 Embedded TCP/IP MCU	
TITLE: eIP-24-v1.0	REV: v1.0
© 2009 LJCv Electronics Sept 1, 2009	Sheet: 1/2



eIP-24 Embedded TCP/IP MCU

TITLE: eIP-24-v1.0 REV: v1.0