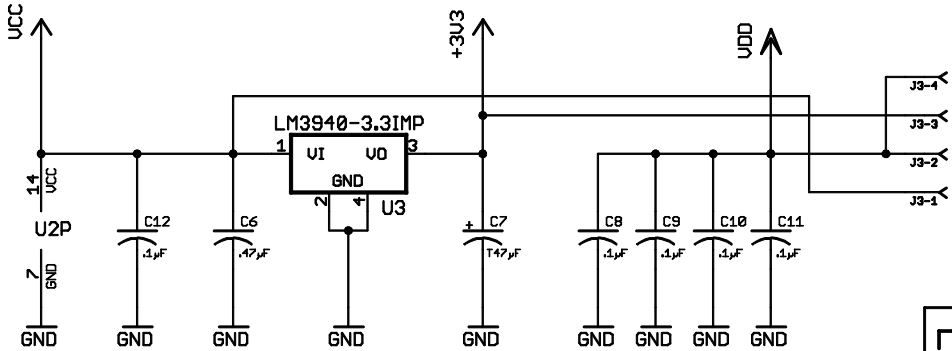


Note 1: R5 = 2.32K 1% for silicon Rev.B5, 2.7K 1% for Rev.B4



Supply Voltage Selection Jumper
 1-2 3.3V
 3-4 5V

nic28 - ENC28J60 NIC	
TITLE: nic28-v1.0b	REV: v1.0b
©2006 - LJCU Electronics	Oct 10, 2006 Sheet: 1/1