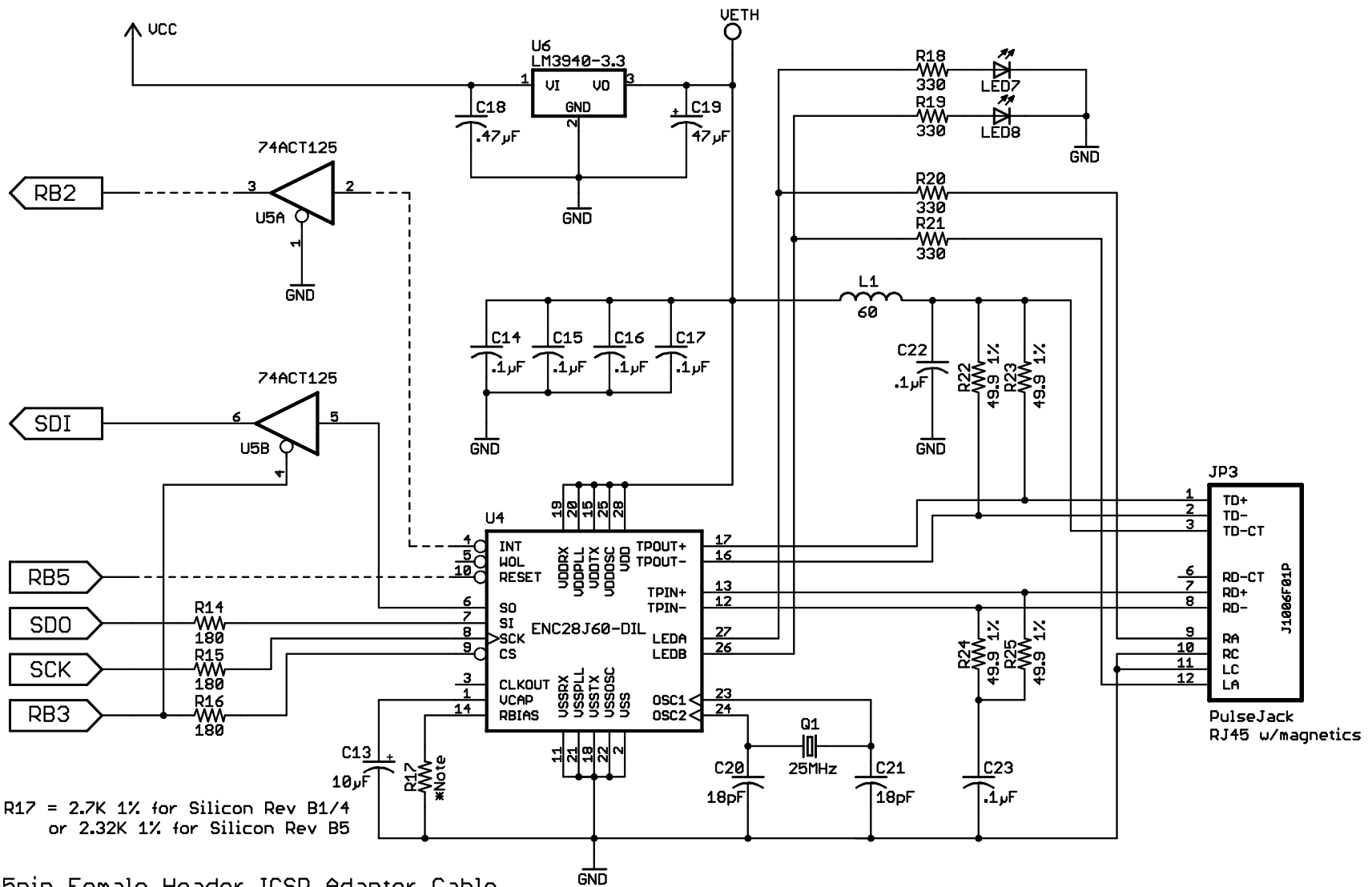
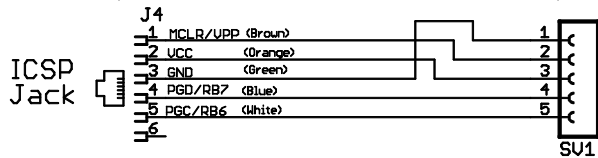


PIC18F4620-ENC28J60 10BaseT Interface	
TITLE: pic10t-2.0	REV: 2.0
© 2007, Jorge Amodio	Sheet: 1/2



RJ12-5pin Female Header ICSP Adapter Cable



Microchip ENC28J60 10BaseT Interface	
TITLE: pic10t-2.0	REV: 2.0
© 2007, Jorge Amodio	Sheet: 2/2