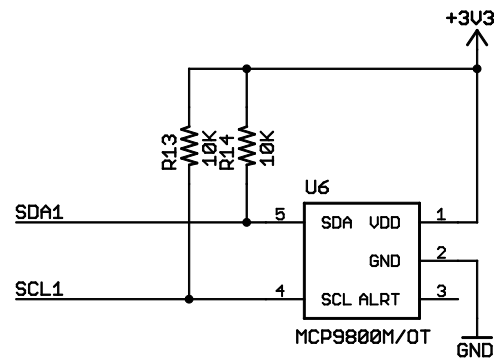
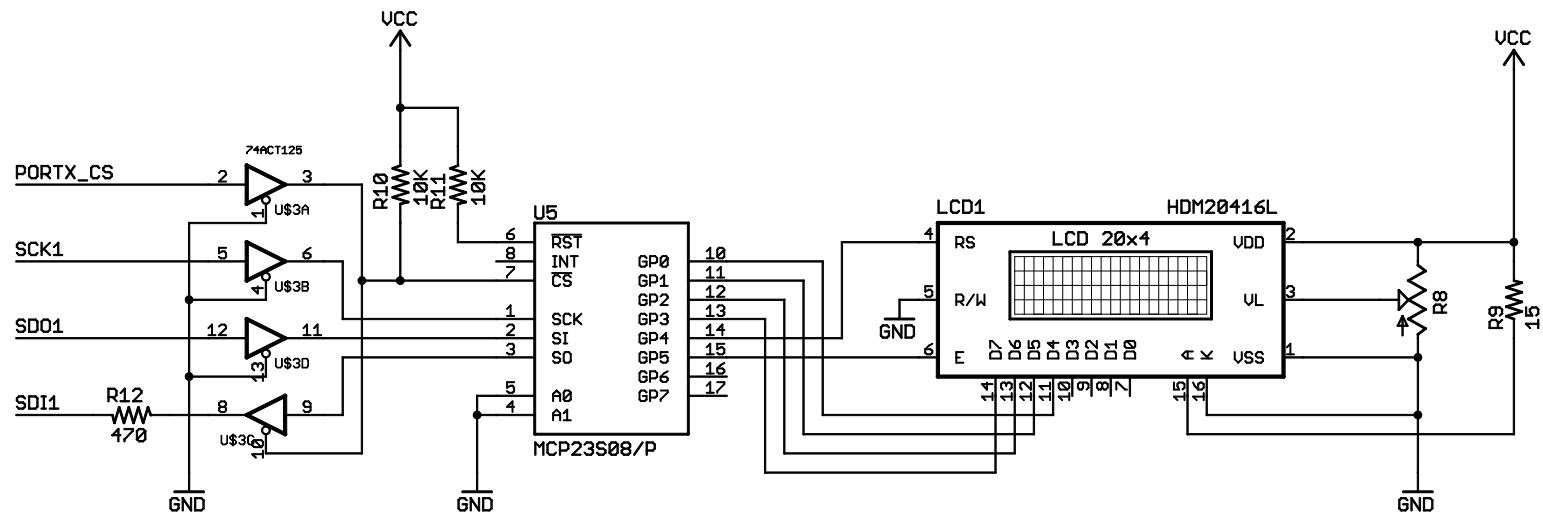


PIC24FJ64GA002 I/O Pin Mapping

RB14/RP14	UART1 TX
RB15/RP15	UART1 RX
RB7/RP7	SPI1 SCK
RB8/RP8	SPI1 SDO
RB9/RP9	SPI1 SDI

PIC24FJ64GA002-nic28+SPI LCD & Temp Sensor

TITLE: PIC24F-nic28-spilcd-2.0		REV: 2.0
© 2007, Jorge Amodio		Sheet: 1/2



PIC24FJ64GA002-nic28+SPI LCD & Temp Sensor	
TITLE: PIC24F-nic28-spilcd-2.0	REV: 2.0
© 2007, Jorge Amodio	Sheet: 2/2